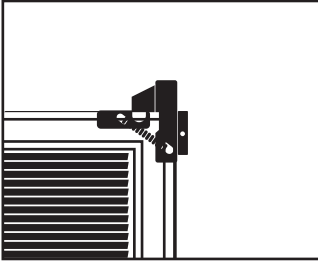
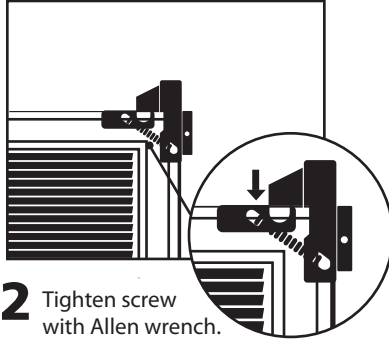




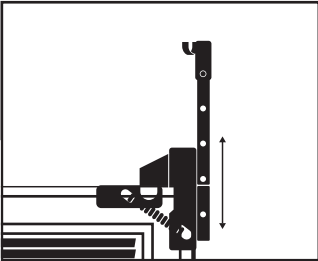
# Ready Hang™ D3DESIGN Installation Instructions



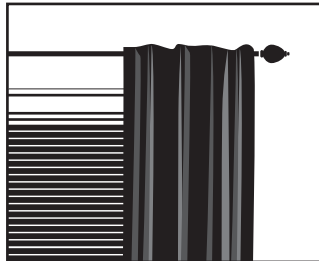
- 1** Place Ready Hang™ brackets onto top corners of window frame. Make sure they are as square as possible.



- 2** Tighten screw with Allen wrench. The goal is to have the top and side brackets flush with the window frame so you cannot see any space in between. You may need to lightly tap the top and side with a hammer if it is not flush with the frame after tightening.



- 3** Insert extension rods into brackets at desired height and lock in place with screws.



- 4** Hang your drapery!